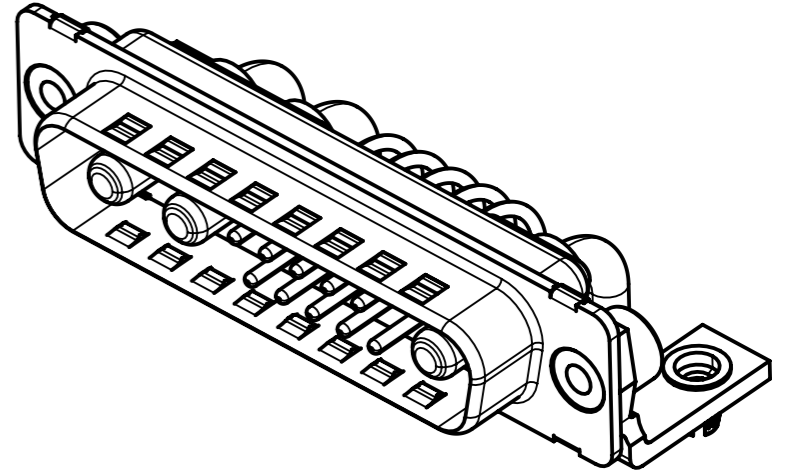
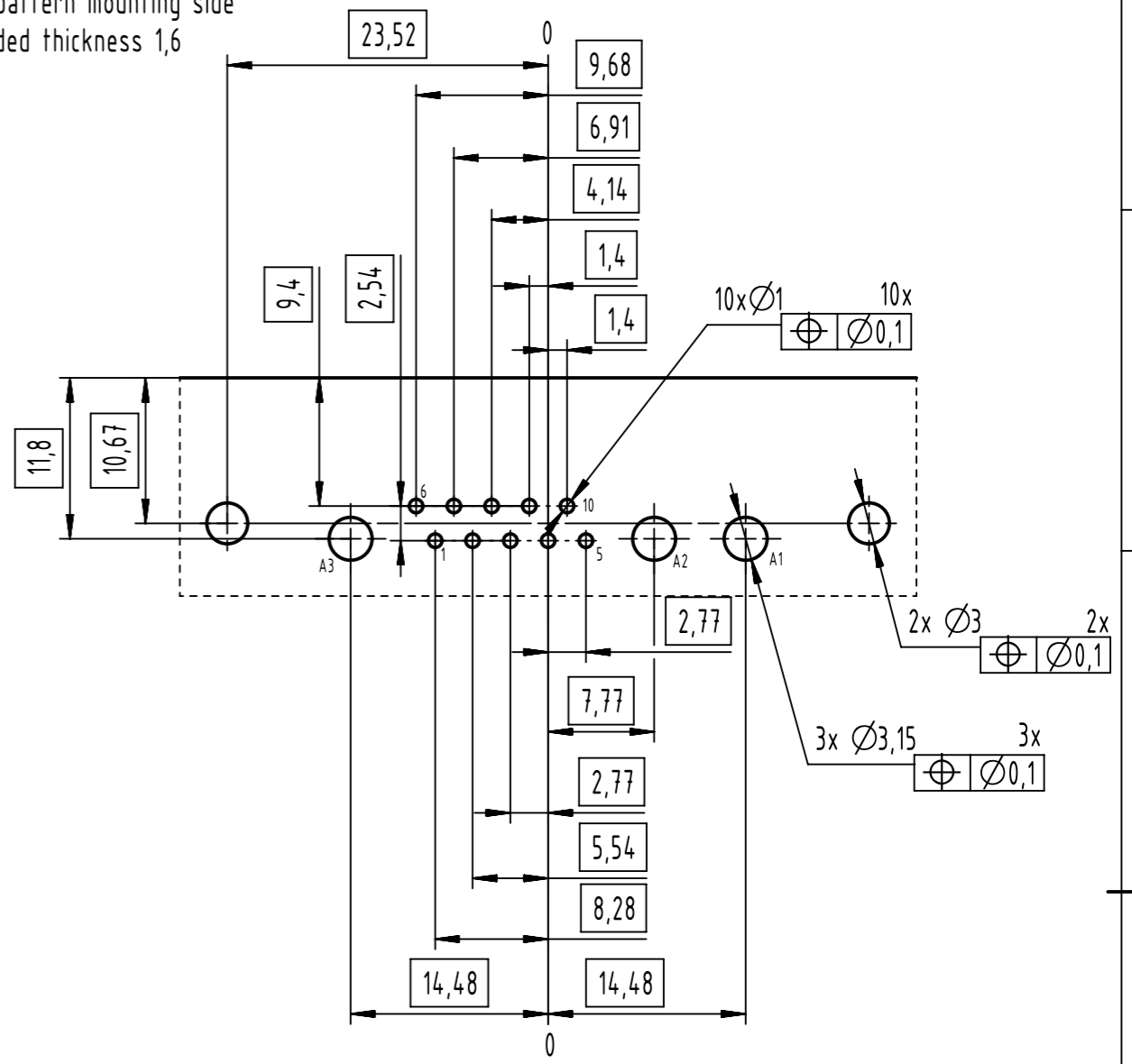


PCB hole pattern mounting side  
Recommended thickness 1,6



09693009356	NM30
Part number	Performance level

	All rights reserved	Created by ZHUANGJ	Inspected by LUOK	Standardisation ROEBEN	Date 2022-01-27	State Final Release	Ref.
	Department EL PD	Title D-Sub M 13W3 ANG MA 20A UNC NM30 BL				Doc-Key / ECM-Nr. 100945405/UGD/001/A 50000208965	
HARTING D-32339 Espelkamp	Type TB	Number 09693009356		Rev. A	Page 1/1		